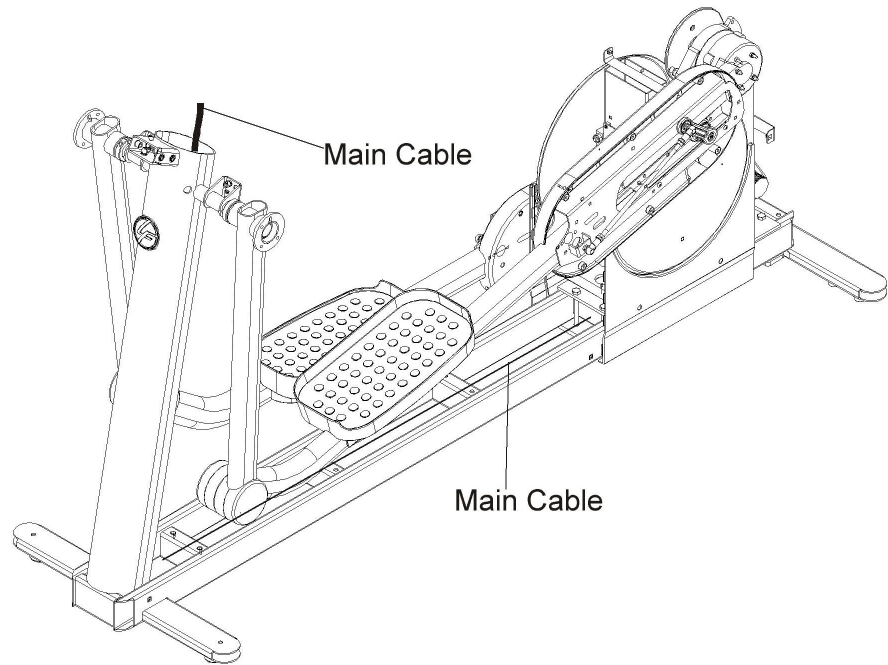


Life Fitness Cross-Trainers 90X, 93X, 95Xe, and 95Xi

How To... Replace the Console Cable Assembly

Special Service Tools Required: NONE

1. Remove the Front Frame Cover. See "How To" in this section.
2. Remove the Main Shroud. See "How To" in this section.
3. Remove the Ladder Frame Cover. See "How To" in this section.
4. Remove the Console Support Cover. See "How To..." in this section.
5. Remove the Console Assembly. See "How To..." in this section.
6. Disconnect the Console Cable Assembly from the Console and the Power Control Board.



7. Remove cable ties securing the Console Cable Assembly to the Ladder Frame.

Note: It is recommended that you fasten one end of the new cable to one end of the old cable before removing from unit. This will enable you to route the new cable through the Upright more easily.

8. Install the new Console Cable Assembly in reverse order.